

DATASHEET:
D02 FUSE-LINKS



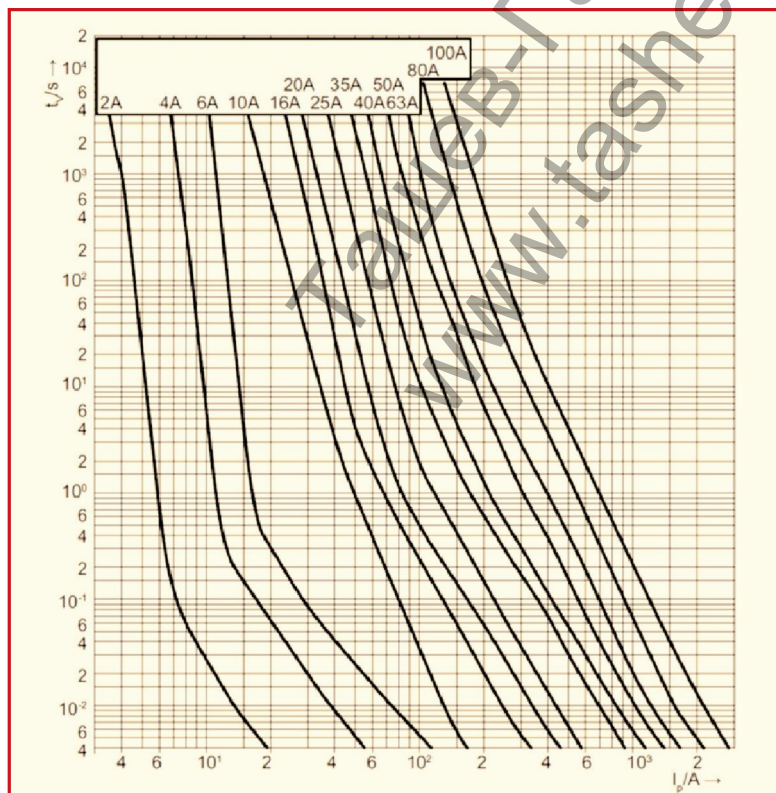
SCHRACK INFO

D01-fuse links in utilization categories gG according to IEC 60269, DIN EN 60269-1 and DIN VDE 0636-3 with rated voltage AC400V

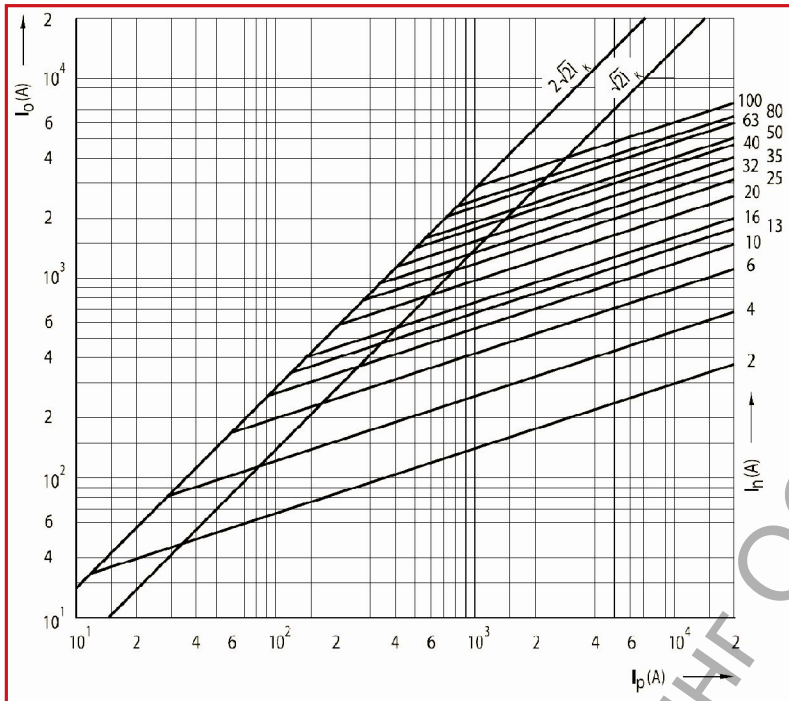
TECHNICAL DATA

Rated current	20A	25A	35A	50A	63A
Color	blue	yellow	black	white	copper
Utilization category	gG				
Rated voltage AC	400V				
Rated voltage DC	250V				
Size	D02				
Thread	E18				
Output	2,7W	3,5W	4W	5W	5,4W
Rated breaking capacity AC	50kA				
Rated breaking capacity DC	8kA				

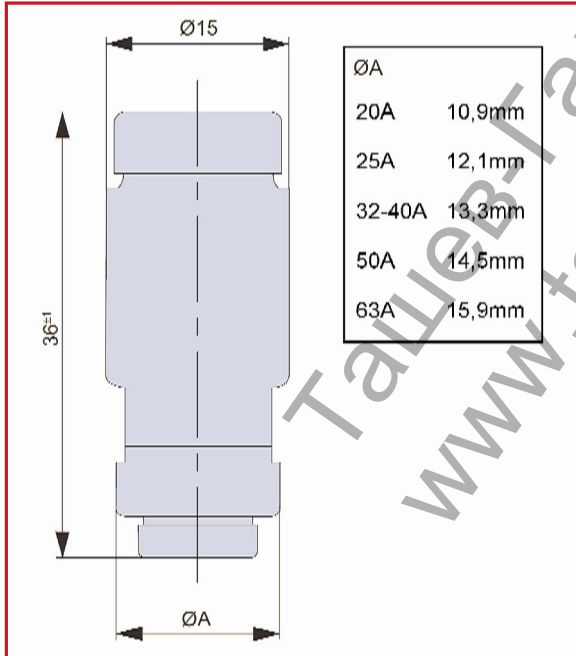
TIME CURRENT CHARACTERISTICS



PEAK LET-THROUGH CURRENT CHART



DIMENSIONS



DESCRIPTION	EAN	ORDER NO.
Fuse 20A, Neozed D02, gL	9004840686357	IS504035
Fuse 25A, Neozed D02, gL	9004840686364	IS504036
Fuse 35A, Neozed D02, gL	9004840686371	IS504037
Fuse 50A, Neozed D02, gL	9004840686388	IS504038
Fuse 63A, Neozed D02, gL	9004840686395	IS504039